

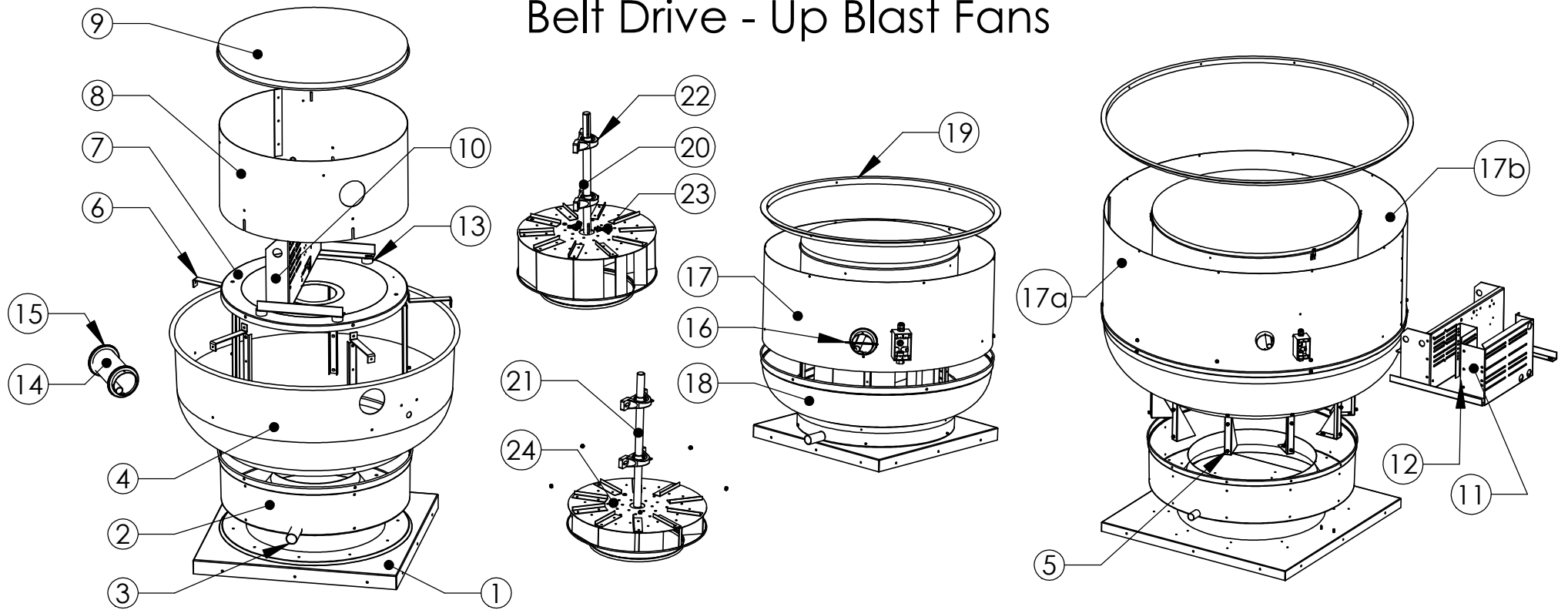
EXPLODED

VIEWS

UPBLAST

10/11/2021

Belt Drive - Up Blast Fans

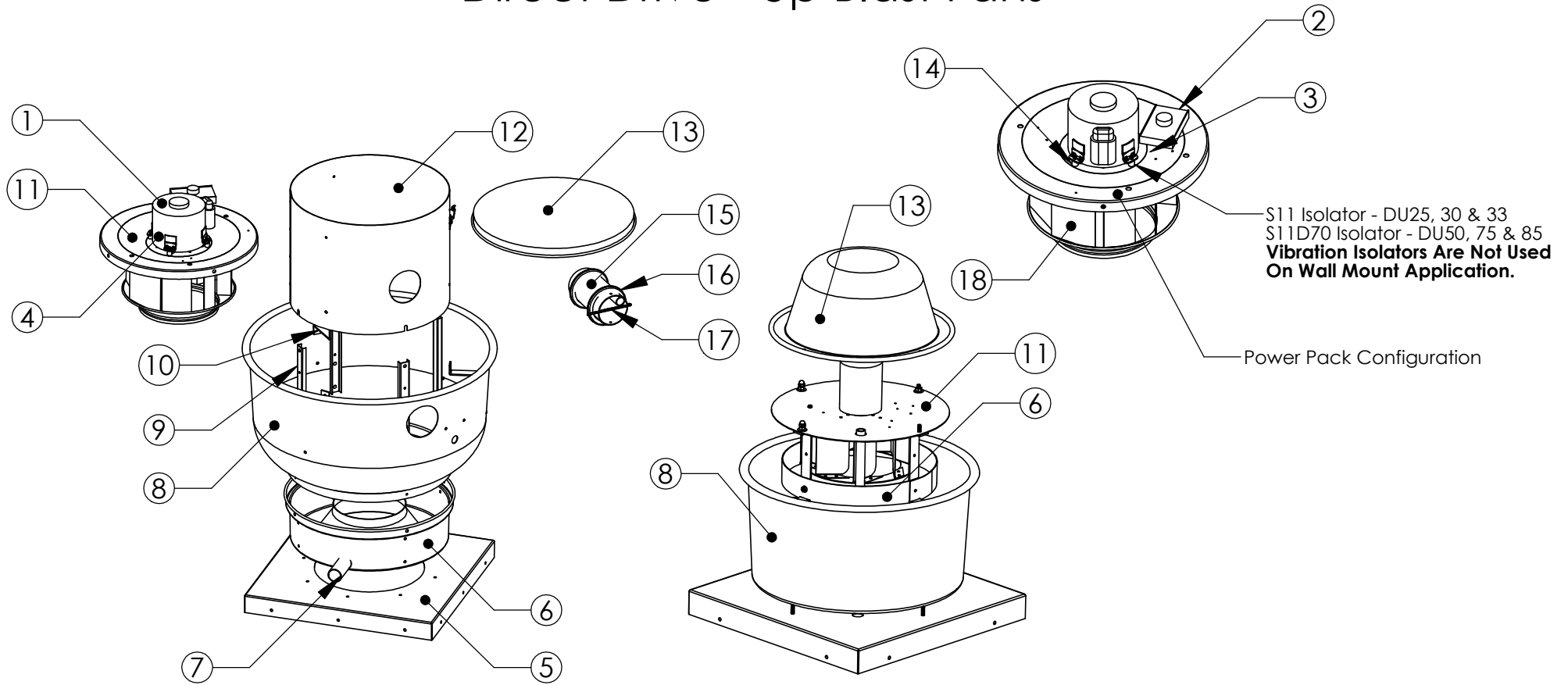


The adapter plates and supports are used on standard applications and motors where larger motors require them per the BOM.

Belt Drive - Up Blast Fan - Part Information.

Item #	Description Of Parts	11	#	13	#	15 - 15HP	#	18 - 18HP	#	20 - 20HP	#	24 - 24HP	#	30 - 30HP	#	36 - 36HP	#		
1	Base Assembly	F8040011-S	1	F8040013-S	1	F8040015-S	1	F8040018-S	1	F8040020-S	1	F8040024-S	1	F8040030	1	F8040036	1		
2	Baffle	F5020011	1	F5020013	1	F5020015	1	F5020018	1	F5020020	1	F5020024	1	F5020030	1	F5020036	1		
3	Drain	F2100016	1	F2100017	1	F2100016	1	F2100016	1	F2100016	1	F2100016	1	F2100017	1	F2100017	1		
4	Apron	F5060011	1	F5060013	1	F5060015	1	F5060018	1	N/A									
5	Vertical Brace Assembly	F8030011-P	4	F8030013-P	4	F8030015-P	4	F8030018-P	5	F8030018-P	5	F8030024-P	5	F8030030-P	10	F8030036-M	10		
6	Horizontal Brace	F2030011-S	3	F2030013-S	3	F2030015-S	4	F2030018-S	5	F2030018-S	5	F2030024-S	5	F2030030-S	5	F2030036-S	10		
7	Top Plate	F5040011-S	1	F5040013-S	1	F5040015-S	1	F5040018-S	1	F5040018-S	1	F5040024-S	1	F5040030	1	F5040036	1		
8	Shaft Wrapper	F2050011-S	1	F2050013-S	1	F2050015-S	1	F2050018-S	1	F2050018-S	1	F2050024-S	1	F2050030-S	1	F2050036-S	1		
9	Pan Hood / Motor Cover	F5150011-S	1	F5150013-S	1	F5150015-S	1	F5150018-S	1	F5150018-S	1	F5150024-S	1	F5150030-S	1	F5150036-S	1		
10	Motor Plate Weldment	F8020011	1	F8020013	1	F8020015	1	F8020018	1	F8020018	1	F8020024	1	F8020030	1	F8020036	1		
11	Motor Plate Adapter	N/A		F2100008	1	F2100008	1	F2100018	1	F2100018	1	F2100007	1	F2100007	1	F2100036	1		
12	Adapter Support Plate	N/A										F2100007S	1	F2100007S	1	F2100007S	1		
13	Vibration Isolator	800113-D40	4	800113-D40	4	800113-D40	4	800113-D40	4	800113-D40	4	800113	7	800113	7	800113	9		
14	Cooling Tube	F2140015	1	F2140015	1	F2140015	1	F2140018	1	F2140018	1	F2140018	1	F2140030	1	F2140036	1		
15	Cooling Tube Grommet	F2100001	2	F2100001	2	F2100001	2	F2100001	2	F2100001	2	F2100001	2	F2100001	2	F2100001	2		
16	Cotter Pin - Cooling Tube	800103	3	800103	3	800103	3	800103	3	800103	3	800103	3	800103	3	800103	3		
17	Wind Band	N/A								F2160020-S	1	F2160024-S	1	F2160030-S	1	N/A			
17a	Wind Band 2 Piece Construction A	N/A								N/A								F2160036-SA	1
17b	Wind Band 2 Piece Construction B	N/A								N/A								F2160036-SB	1
18	Bottom Skirt	N/A								F5170020	1	F5170024	1	F5170030	1	F5170036	1		
19	Wind Band Angle Ring	N/A								F2370020	1	F2370024	1	F2370030	1	F2370036	1		
20	Standard Wheel Shaft	F2180011	1	F2180013	1	F2180015	1	F21800181	1	F21800181	1	F2180024	1	F2180030	1	F2180030	1		
21	HP Wheel Shaft	F2180013	1	F2180015	1	F2180016	1	F21800191	1	F21800191	1	F2180025	1	F2180031	1	F2180037	1		
22	Bearings	UCP204-12-AH-SP4	2	UCP204-12-AH-SP4	2	UCP204-12-AH-SP4	2	UCP205-16-AH-SP4	2	UCP205-16-AH-SP4	2	UCP205-16-AH-SP4	2	UCP205-16-AH-SP4	2	UCP206-19-AH-SP5	2		
23	Standard Wheel Assembly	F8010011	1	F8010013	1	F8010015	1	F8010018P1-B & P1-1 Bushing	1	F8010020P1-B & P1-1 Bushing	1	F8010024P1-B & P1-1 Bushing	1	F8010030P1-B & P1-1-3/16 Bushing	1	F8010036P1-B & P1-1-3/16 Bushing	1		
24	HP Wheel Assembly	F8010012	1	F8010014BDHP	1	F8010016	1	F8010018P1-BDHP & P1-1 Bushing	1	F8010020P1-BDHP & P1-1 Bushing	1	F8010024P1-BDHP & P1-1 Bushing	1	F8010030P1-BDHP & P1-1-3/16 Bushing	1	F8010036P1-BDHP & P1-1-3/16 Bushing	1		

Direct Drive - Up Blast Fans



Direct Drive - Motor - Part Information.

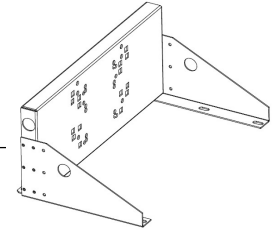
Item #	Description Of Parts	DU10	#	DU12	#	DU25	#	DU30	#	DU33	#	DU50	#	DU75	#	DU85	#
1	Motor Single Phase	8550	1	8550A	1	6312R	1	6245R	1	6310R	1	6311R	1	6241R	1	6251R2	1
2	Speed Control	KBWC-16K	1	KBWC-16K	1	KBWC-16K	1	KBWC-16K	1	KBWC-16K	1	KBWC-110K	1	KBWC-115K	1	KBWC-115K	1
3	Wire Harness	810040E	1	810040E	1	810040D	1	810040D	1	810040D	1	810040D	1	810040D	1	810040D	1
4	Motor Three Phase (VFD Only)	N/A				N/A				6315	1	6317	1	N/A		6319R	1

Direct Drive - Up Blast Fan - Part Information.

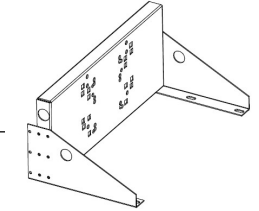
Item #	Description Of Parts	DU10	#	DU12	#	DU25	#	DU30	#	DU33	#	DU50	#	DU75	#	DU85	#	
5	Base Assembly	F8041508-S	1	F8041516-S	1	F8040011-S	1	F8040011-S	1	F8040011-S	1	F8040013-S	1	F8040015-S	1	F8040015-S	1	
6	Baffle	F2021508	1	N/A		F5020011	1	F5020011	1	F5020011	1	F5020013	1	F5020015	1	F5020015	1	
7	Drain	N/A	F2100016		1	F2100016	1	F2100016	1	F2100016	1	F2100017	1	F2100016	1	F2100016	1	
8	Apron	F5061508	1	F5061516	1	F5060011	1	F5060011	1	F5060011	1	F5060013	1	F5060015	1	F5060015	1	
9	Vertical Brace Assembly	F8031508-S	4	F8031516-S	4	F8030011-P	4	F8030011-P	4	F8030011-P	4	F8030013-P	5	F8030015-P	5	F8030015-P	5	
10	Horizontal Brace	N/A				F2030011-S	3	F2030011-S	3	F2030011-S	3	F2030013-S	3	F2030015-S	4	F2030015-S	4	
11	Top Plate	F2041508-S	1	F5041516-S	1	F5040011-S	1	F5040011-S	1	F5040011-S	1	F5040013-S	1	F5040015-S	1	F5040015-S	1	
12	Shaft Wrapper	N/A	F2051516-S		1	F2050011-S	1	F2050011-S	1	F2050011-S	1	F2050013-S	1	F2050015-S	1	F2050015-S	1	
13	Pan Hood / Motor Cover	F5151508-S	1	F5151516-S	1	F5150011-S	1	F5150011-S	1	F5150011-S	1	F5150013-S	1	F5150015-S	1	F5150015-S	1	
14	Vibration Isolator (not used on wall mount)	N/A				S11	4	S11	4	S11	4	S11D70	4	S11D70	4	S11D70	4	
15	Cooling Tube	N/A	F2140014		1	F2140015	1	F2140015	1	F2140015	1	F2140015	1	F2140015	1	F2140015	1	
16	Cooling Tube Grommet	N/A	F2100001		2	F2100001	2	F2100001	2	F2100001	2	F2100001	2	F2100001	2	F2100001	2	
17	Cotter Pin - Cooling Tube	N/A			800103	3	800103	3	800103	3	800103	3	800103	3	800103	3	800103	3
18	Standard Wheel Assembly	F8011508	1	F8011516	1	F8010010	1	F8010010	1	F8010010	1	F8010014	1	F8010017	1	F8010017	1	
19	Bird Screen UL705 Only	F2361508	1	N/A														

Direct Drive - Up Blast Fans

Configuration A

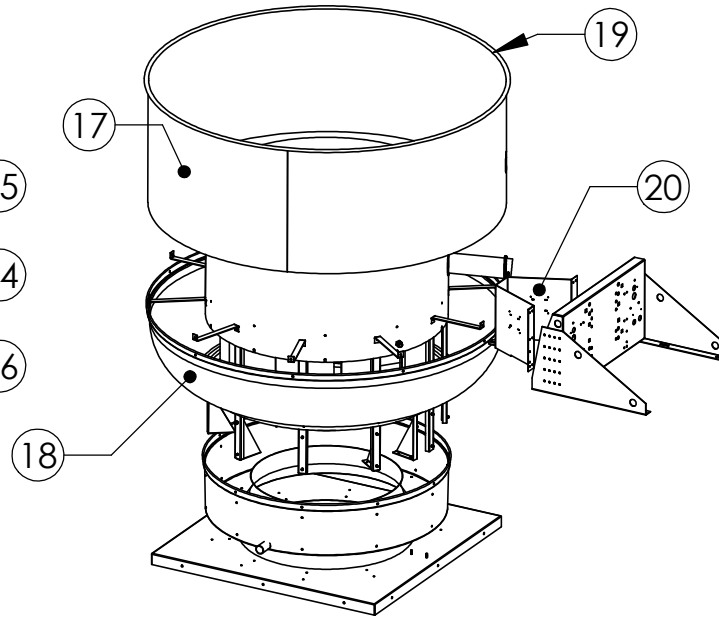
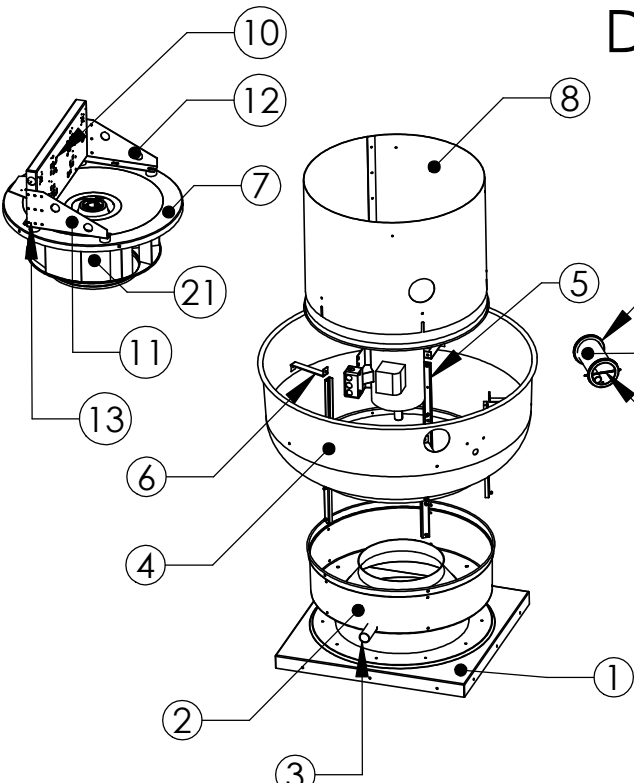


Configuration B



Rivet Hole Location

Rivet Hole Location

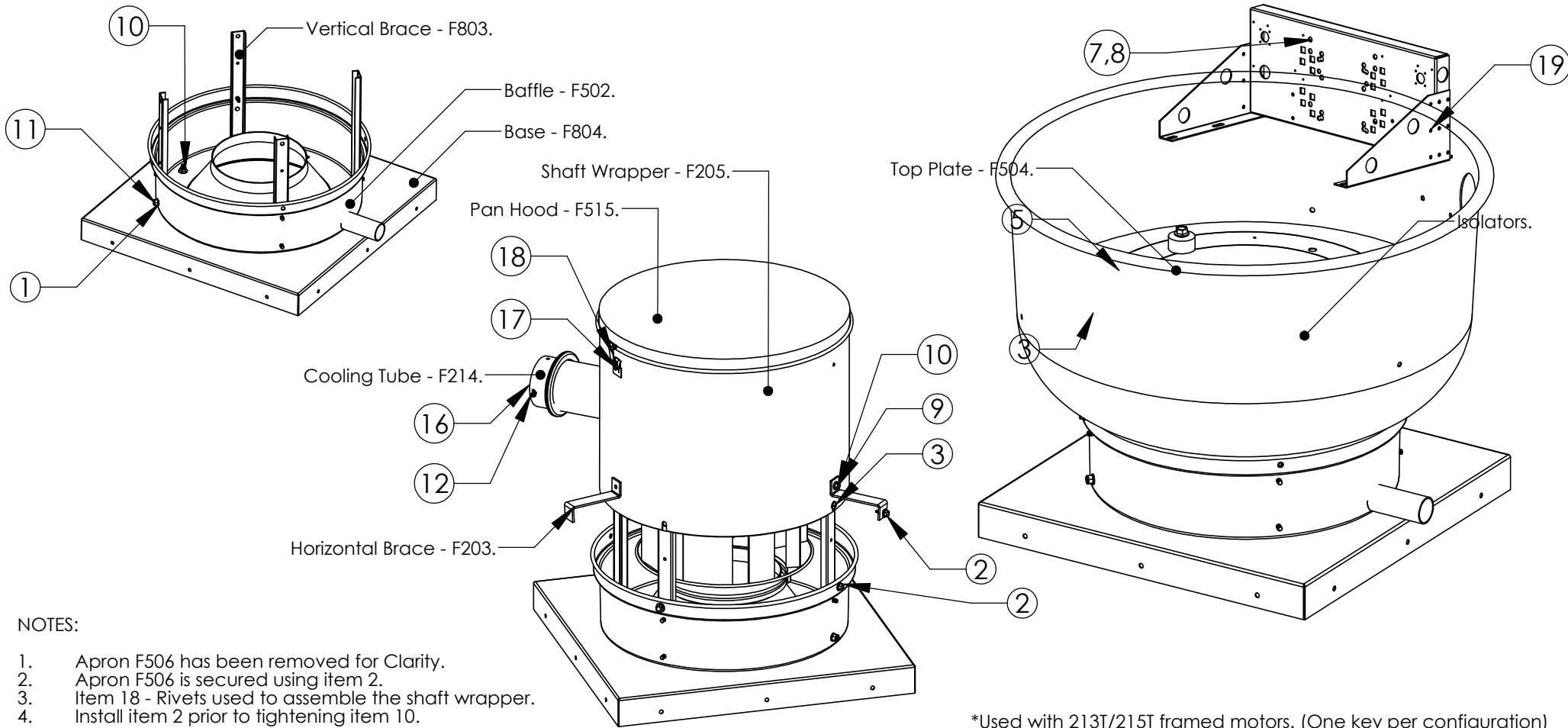


DU/DR180-360 Motor Configuration			
Fan Model	Motor Frame Size	Motor Plate Assembly	Motor Plate Configuration
180	56 / 145T / 182T	F20890018DD-B / F20890018DD-B / F20890018DD-A	B / B / A
200	56 / 145T / 182T	F20890020DD-B / F20890020DD-B / F20890020DD-A	B / B / A
240	184T / 215T	F20890024DD-B / F20890024DD-A	B / A
300	215T / 254T	F20890036DD-B / F20890036DD-A	B / A

Direct Drive - Up Blast Fan - Part Information.

Item #	Description Of Parts	DU180	#	DU200	#	DU240	#	DU300	#	DU360	#
1	Base Assembly	F8040018-S	1	F8040020-S	1	F8040024-S	1	F8040030	1	F8040036	1
2	Baffle	F5020018	1	F5020020	1	F5020024	1	F5020030	1	F5020036	1
3	Drain	F2100016	1	F2100016	1	F2100016	1	F2100017	1	F2100017	1
4	Apron	F5060018	1	N/A							
5	Vertical Brace Assembly	F8030018-P	5	F8030018-P	5	F8030024-P	5	F8030030-P	10	F8030036-M	10
6	Horizontal Brace	F2030018-S	5	F2030018-S	5	F2030024-S	5	F2030030-S	5	F2030036-S	10
7	Top Plate	F5040018-S	1	F5040018-S	1	F5040024-S	1	F5040030	1	F5040036	1
8	Shaft Wrapper	F2050018-S	1	F2050018-S	1	F2050024-S	1	F2050030-S	1	F2050036-S	1
9	Pan Hood / Motor Cover	F5150018-S	1	F5150018-S	1	F5150024-S	1	F5150030-S	1	F5150036-S	1
10	Motor Plate	F2090018DD	1	F2090020DD	1	F2090024DD	1	F2090036DD	1	F2090036DD	1
11	Motor Plate Angle Right	F2080018DDR	1	F2080018DDR	1	F2080024DDR	1	F2080036DDR	1	F2080036DDR	1
12	Motor Plate Angle Left	F2080018DDL	1	F2080018DDL	1	F2080024DDL	1	F2080036DDL	1	F2080036DDL	1
13	Vibration Isolator	800113-D40	4	800113-D40	4	800113	7	800113	7	800113	7
14	Cooling Tube	F2140018	1	F2140018	1	F2140018	1	F2140030	1	F2140036	1
15	Cooling Tube Grommet	F2100001	2	F2100001	2	F2100001	2	F2100001	2	F2100001	2
16	Cotter Pin - Cooling Tube	800103	3	800103	3	800103	3	800103	3	800103	3
17	Wind Band	N/A		F2160020-S	1	F2160024-S	1	F2160030-S	1	N/A	
17a	Wind Band 2 Piece Construction A					N/A				F2160036-SA	1
17b	Wind Band 2 Piece Construction B					N/A				F2160036-SB	1
18	Bottom Skirt	N/A		F5170020	1	F5170024	1	F5170030	1	F5170036	1
19	Wind Band Angle Ring	N/A		F2370020	1	F2370024	1	F2370030	1	F2370036	1
20	Motor Plate Support	N/A				F2090024DDSUP	1	F2090036DDSUP	1	F2090036DDSUP	1
21a	Wheel Assembly	F8010018P1-B & Motor Bushing	1	F8010020P1-B & Motor Bushing	1	F8010024P1-B & Motor Bushing	1	F8010030P1-B & Motor Bushing	1	F8010036P1-B & Motor Bushing	1

Direct Drive - Up Blast - Hardware



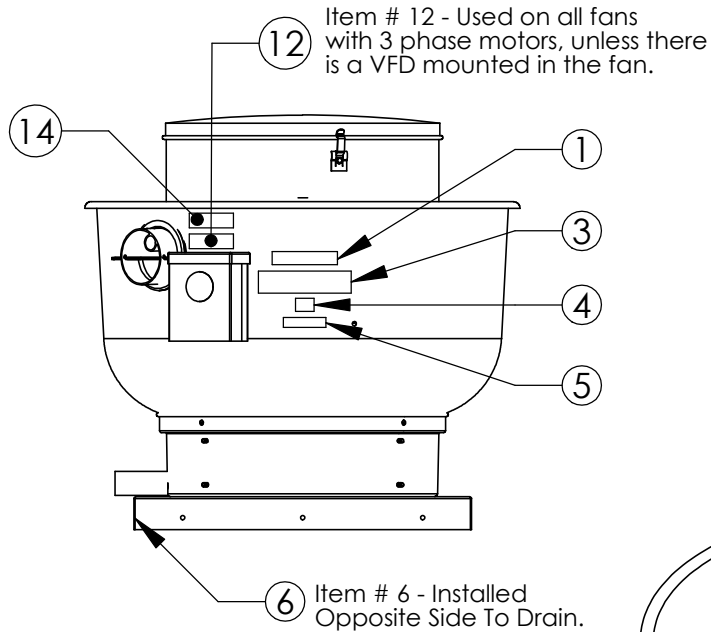
NOTES:

1. Apron F506 has been removed for Clarity.
2. Apron F506 is secured using item 2.
3. Item 18 - Rivets used to assemble the shaft wrapper.
4. Install item 2 prior to tightening item 10.

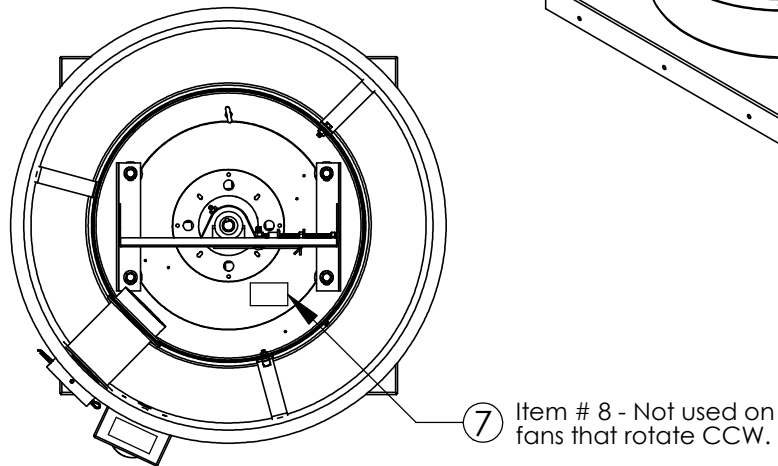
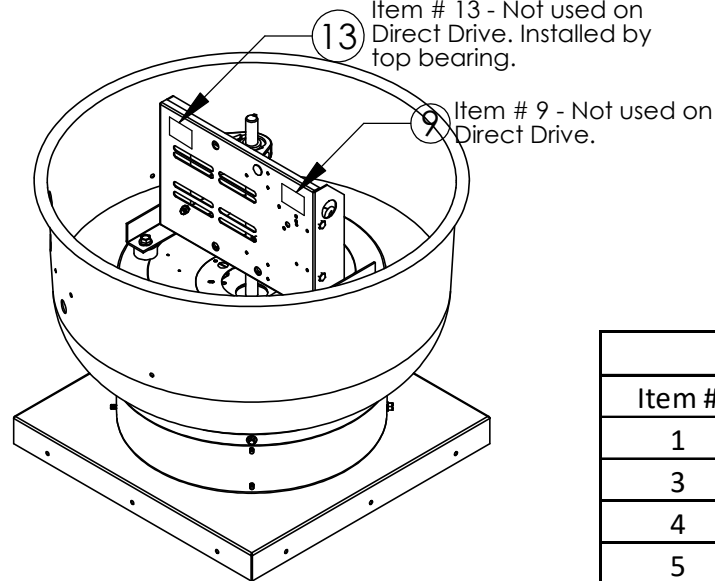
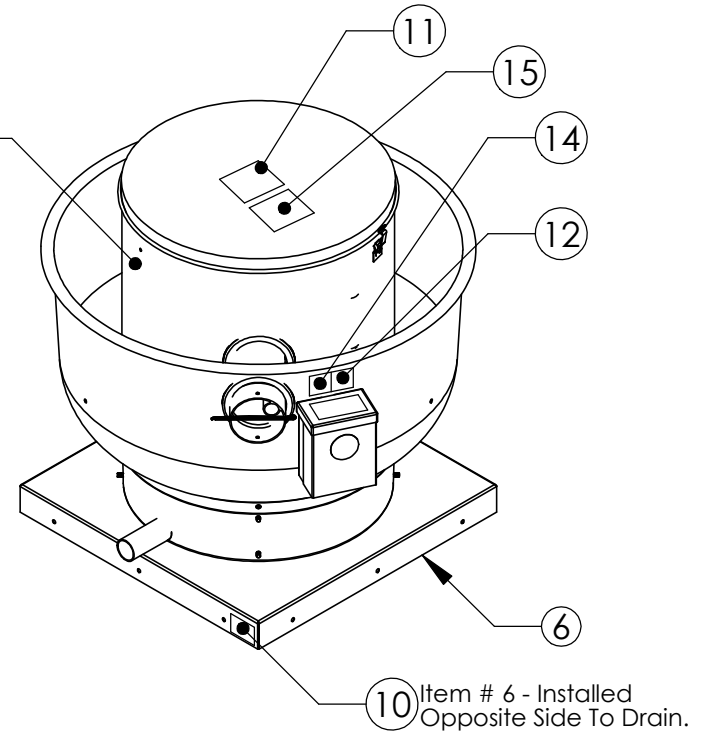
*Used with 213T/215T framed motors. (One key per configuration)

Hardware - Up Blast Fan Direct Drive - Part Information.											
Item #	Description Of Parts	DU180	#	DU200	#	DU240	#	DU300	#	DU360	#
1	White Nylon Washer	800014	10	800014	10	800014	10	800014	20	800014	20
2	1/4 - 14 x 1.25 Self Drilling / Rubber Washer	800023B	10	800023B	15	800023B	20	800023B	30	800023B	30
3	1/4 - 20 x 5/8 Pan Head Whiz Screw	800026	5	800026	5	800026	5	800026	10	800026	10
4	3/8 - 16 x 1 1/2 Whiz Bolt Grade 5	800025	4	800025	4	800025	4	N/A			
4	1/2 - 13 x 1 1/2 Whiz Bolt Grade 5	N/A			N/A			A0005710	4	A0005710	4
5	3/8 - 16 Whiz Nut	800032	12	800032	12	800032	14	N/A			
5	1/2 - 13 Whiz Nut	N/A			N/A			A0005693	4	A0005693	4
6	3/8 - 16 x 1 3/4 Carriage Bolt	N/A									
7	5/16 - 18 x 1 1/2 Whiz Bolt Grade 5	800043	10	800043	10	800043	10	800043	10	800043	10
8	5/16 - 18 Whiz Nut	800033	10	800033	10	800033	10	800033	10	800033	10
9	1/4 - 20 x 1" Self Aligning Whiz Bolt Grade 5	0120763.0800	5	0120763.0800	5	0120763.0800	5	0120763.0800	10	0120763.0800	10
10	1/4 - 20 Whiz Nut	800034	20	800034	20	800034	20	800034	30	800034	30
11	1/4 - 20 Nylon Lock Nut	800031	10	800031	10	800031	10	800031	20	800031	20
12	Cotter Pin	800103	3	800103	3	800103	3	800103	3	800103	3
13	3/16 x 3/16 x 1 1/4 Key	800104	1	800104	1	N/A					
14	1/4 x 1/4 x 2 1/4 Key	800108*	1	800108*	1	800108	1	N/A			
15	5/16 x 5/16 x 2" Key	N/A			N/A			800114	1	800114	1
16	Heyco Bushing	810068	2	810068	2	810068	2	810068	2	810068	2
17	3/16 Rivet	800070A	8	800070A	18	800070A	18	800070A	21	800070A	28
18	Ludwig A - 17 Hood Clip	800107	4	800107	4	800107	4	800107	4	800107	6
19	SSPI Rivet	SSPI-08-06-RIVET	12	SSPI-08-06-RIVET	12	SSPI-08-06-RIVET	22	SSPI-08-06-RIVET	32	SSPI-08-06-RIVET	32

Up Blast - Label Locations



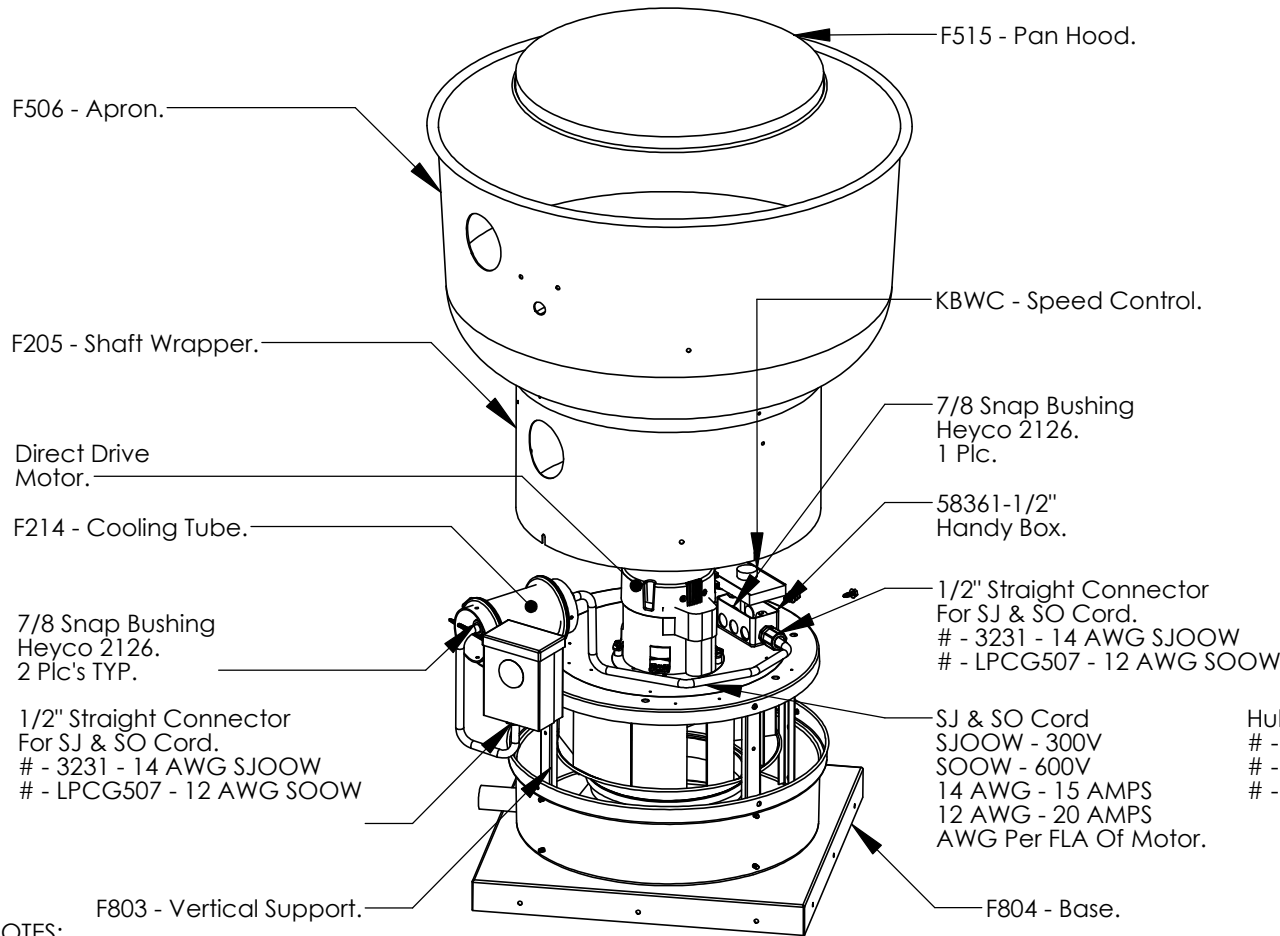
Item # 3 - ETL Label is also placed on the inside of the shaft wrapper



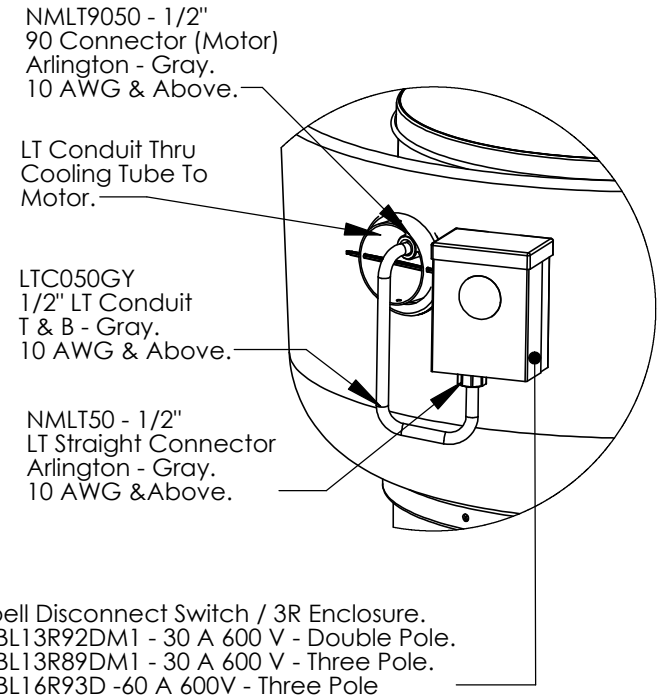
Labels - Up Blast Fan - Part Information.		
Item #	Description Of Parts	#
1	Name Brand Label	1
3	ETL Label	2
4	AMCA Air & Sound	1
5	QC Passed Label	1
6	Hinge Kit Label	1
7	Rotation Label CCW	1
9	Belt Size Label	1
10	Wall Mount Label	1
11	Loose Items Label	1
12	ATTENTION ! VFD Label	1
13	Bearing Grease Label	1
14	Disconnect Switch Label	1
15	Lifting Locations Under Motor Cover Label	1

Direct & Belt Drive - Up Blast - Electrical Components

Motor Wiring - Direct Drive Details.



Motor Wiring - Belt Drive Details.



NOTES:

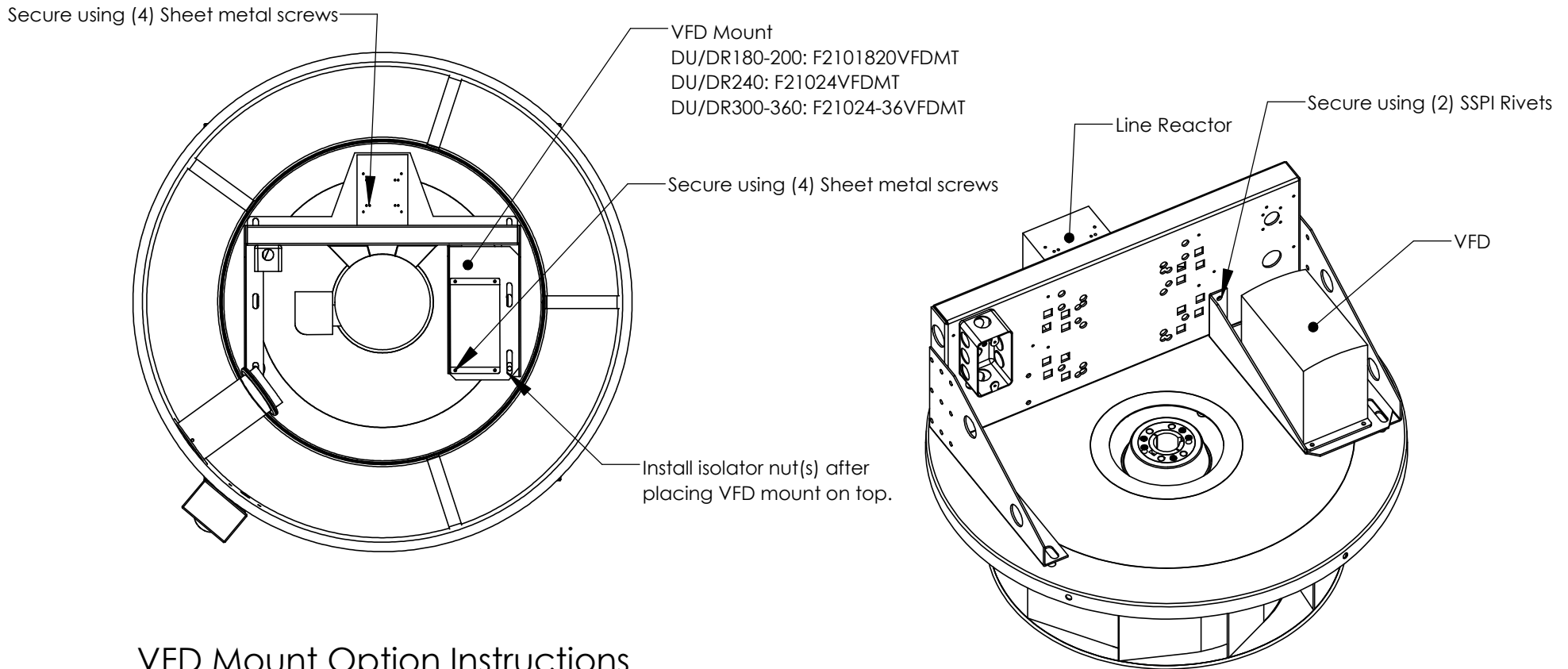
1. Belt drive electrical components are the same except the SJ, SO & LT are connected to the motor.
2. Belt drive fans requiring 10 AWG and above use liquid tight conduit and connectors.
3. Belt drive fans do not use KBWC speed controls or wire harnesses.
4. See the fan information sheet for AWG requirements.
5. All KBWC speed controls are set to 65 VAC minimum voltage under load.

** One Motor per configuration

Direct Drive - Motor - Part Information.

Item #	Description Of Parts	DU10	#	DU12	#	DU25	#	DU30	#	DU33	#	DU50	#	DU75	#	DU85	#
1	Motor Single Phase	8550	1	8550A	1	6312R	1	6245R	1	6310R	1	6311R	1	6241R	1	6251R2	1
2	Speed Control	KBWC-16K	1	KBWC-16K	1	KBWC-16K	1	KBWC-16K	1	KBWC-16K	1	KBWC-110K	1	KBWC-115K	1	KBWC-115K	1
3	Wire Harness	810040E	1	810040E	1	810040D	1	810040D	1	810040D	1	810040D	1	810040D	1	810040D	1
4	Motor Three Phase (VFD Only)	N/A						6315	1	6317	1	N/A		6319R	1		
Item #	Description Of Parts	DU180	#	DU200	#	DU240	#	DU300	#	DU360							
5	Motor Three Phase (VFD Only)**	00318OS3EF56Z	1	00318OS3EF56Z	1	DTP0054	1	DTP7/54	1	DTP7/54							
		DS0034		DS0034		GP7/54											
		DTP0034		DTP0034		DTP0104											
		GP0034		GP0034		GP0104											
6	Disconnect Switch	HBL13R92DM1	1	HBL13R92DM1	1	HBL13R92DM1	1	HBL13R92DM1/ HBL16R93D	1	HBL13R92DM1/ HBL16R93D							

Up Blast - VFD Mount Option



VFD Mount Option Instructions

1. Place VFD Plate onto bottom flange of the right side motor plate support (Remove isolator nuts if installed).
2. Use (2) SSPI Rivets to secure the VFD plate to the motor plate.
3. Install the isolator nut(s) onto the isolator(s).
4. Place VFD onto the VFD plate aligning the holes in the VFD with the .130" holes in the VFD plate.
5. Install (4) self tapping sheet metal screws.
6. Place line reactor onto motor plate F20900XXDD or F20900XXSUPDD and secure using (4) self tapping sheet metal screws.
7. Wire from disconnect to line reactor using liquid tight conduit. Terminate the conduit in the left of the motor plate using a conduit connector.
8. Run conduit from the line reactor through the motor plate to the VFD using conduit connectors on both ends.
9. Run conduit from the VFD to the motor using conduit connectors on both ends.

Up Blast - Wind Band Extension

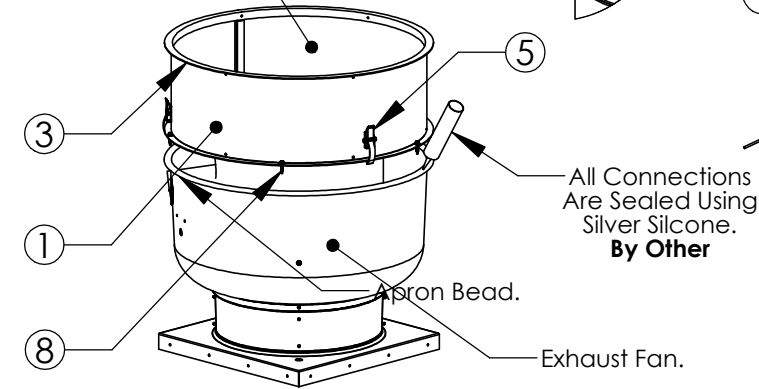
**EYE BOLT PART NUMBERS:
INCLUDE EYE BOLTS, NUTS, WASHERS**

**EYEBOLTS-3
EYEBOLTS-4
EYEBOLTS-5
EYEBOLTS-7**

Eye Bolts Are Ordered As Needed
Or By Other.
PN#9489T170 / AX#A0017709

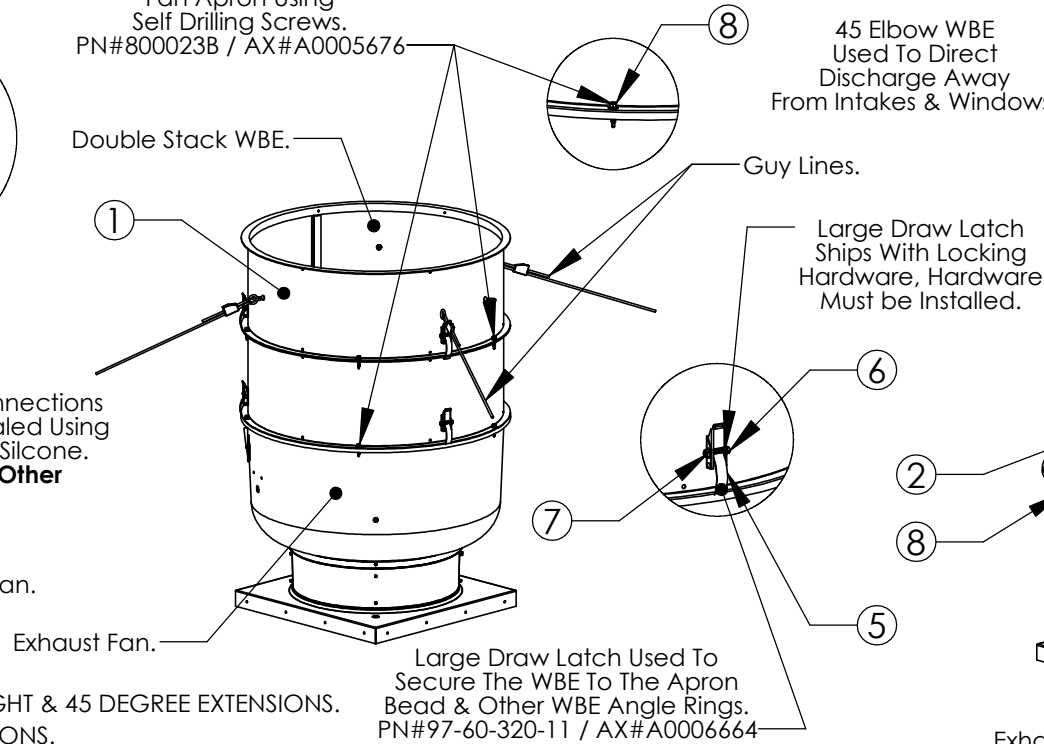
When Multiple Extensions
Are Used Eye Bolts & Guy Lines
Are Recommended.
Guy Lines By Other

Single Stack WBE.

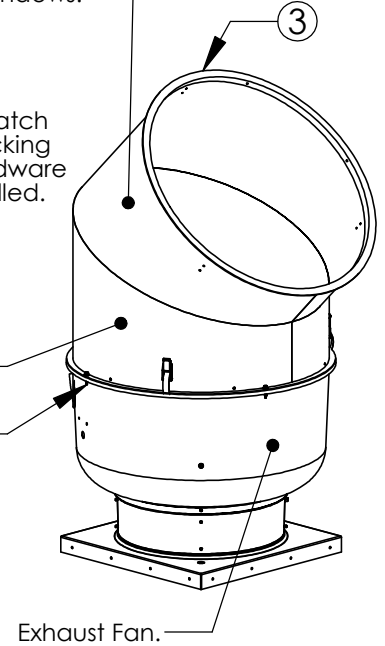


Secure The WBE
Angle Ring To The
Fan Apron Using
Self Drilling Screws.
PN#800023B / AX#A0005676

Double Stack WBE.



45 Elbow WBE
Used To Direct
Discharge Away
From Intakes & Windows.



Large Draw Latch Used To
Secure The WBE To The Apron
Bead & Other WBE Angle Rings.
PN#97-60-320-11 / AX#A0006664

Exhaust Fan.

NOTES:

- SEE BOLD TEXT FOR ASSEMBLY PART NUMBERS STRAIGHT & 45 DEGREE EXTENSIONS.
- SEE FAN MODEL NUMBERS WHEN SELECTING EXTENSIONS.

Item #	Description Of Part	DU12HFA		BDU11, 11HP, NCA8, 8HP, DU30, DU33		BDU13, 13HP, NCA10, 10HP, DU50		BDU15, 15HP, NCA14, 14HP, DU85	
		WBE-10-36	#	WBE-11-36 / WBE-11-45-DEGREE	#	WBE-13-36 / WBE-13-45-DEGREE	#	WBE-15-36 / WBE-15-45-DEGREE	#
1	Windband Extension - 36" Tall	F2161012WBE-36-S (A0025344)	1	F2161011WBE-36-S (A0025373)	1	F2161013WBE-36-S (A0025346)	1	F2161015WBE-36-S (A0025348)	1
2	45 Degree Extension	N/A		F2161011WBE-45-S (A0029255)	1	F2161013WBE-45-S (A0029015)	1	F2161015WBE-45-S (A0029013)	1
3	Angle Ring	F2370012 (A0004889)	2	F2370011 (A0004885)	2	F2370013 (A0004886)	2	F2370015 (A0004887)	2
4	3/16" Rivet (Not Shown)	SB6-4-RIVET (A0017041)	21	SB6-4-RIVET (A0017041)	21	SB6-4-RIVET (A0017041)	21	SB6-4-RIVET (A0017041)	21
5	Large Draw Latch	97-60-320-11 (A0006664)	3	97-60-320-11 (A0006664)	3	97-60-320-11 (A0006664)	3	97-60-320-11 (A0006664)	3
6	Bolt Whiz 3/8"-16 x 1 1/2" Grade 5	92323A558 (A0005703)	3	92323A558 (A0005703)	3	92323A558 (A0005703)	3	92323A558 (A0005703)	3
7	Nut Whiz 3/8"-16 Grade 5	99904A103 (A0005688)	3	99904A103 (A0005688)	3	99904A103 (A0005688)	3	99904A103 (A0005688)	3
8	Self Drilling Screws 1/4"-14 x 1 1/4"	800023B (A0005676)	10	800023B (A0005676)	10	800023B (A0005676)	10	800023B (A0005676)	10
Item #	Description Of Part	BDU18/20, 18/20HP, NCA16/18, 16/18HP, DU180/200		BDU24, 24HP, NCA24, 24HP, DU240		BDU30, 30HP, NCA30, 30HP, DU300		BDU36, 36HP, NCA36, 36HP, DU360	
		WBE-18/20-24 / WBE-18/20-45-DEGREE	#	WBE-24-24 / WBE-24-45-DEGREE	#	WBE-30-24 / WBE-30-45-DEGREE	#	WBE-36-24 / WBE-36-45-DEGREE	#
1	Windband Extension - 24" Tall	F2161020WBE-S (A0025351)	1	F2161024WBE-S (A0025352)	1	F2161030WBE-S (A0025353)	1	F2161036WBE-S (A0025354)	2
2	45 Degree Extension	F216101820WBE-45-S (A0028156)	1	F2161024WBE-45-S (A0029016)	1	F2161030WBE-45-S (A0029256)	1	F2161036WBE-45-S (A0029257)	1
3	Angle Ring	F2370020 (A0004711)	2	F2370024 (A0004714)	2	F2370030 (A0004734)	2	F2370036 (A0004917)	2
4	3/16" Rivet (Not Shown)	SB6-4-RIVET (A0017041)	25	SB6-4-RIVET (A0017041)	25	SB6-4-RIVET (A0017041)	26	SB6-4-RIVET (A0017041)	42
5	Large Draw Latch	97-60-320-11 (A0006664)	4	97-60-320-11 (A0006664)	4	97-60-320-11 (A0006664)	4	97-60-320-11 (A0006664)	5
6	Bolt Whiz 3/8"-16 x 1 1/2" Grade 5	92323A558 (A0005703)	4	92323A558 (A0005703)	4	92323A558 (A0005703)	4	92323A558 (A0005703)	5
7	Nut Whiz 3/8"-16 Grade 5	99904A103 (A0005688)	4	99904A103 (A0005688)	4	99904A103 (A0005688)	4	99904A103 (A0005688)	5
8	Self Drilling Screws 1/4"-14 x 1 1/4"	800023B (A0005676)	10	800023B (A0005676)	10	800023B (A0005676)	10	800023B (A0005676)	10